



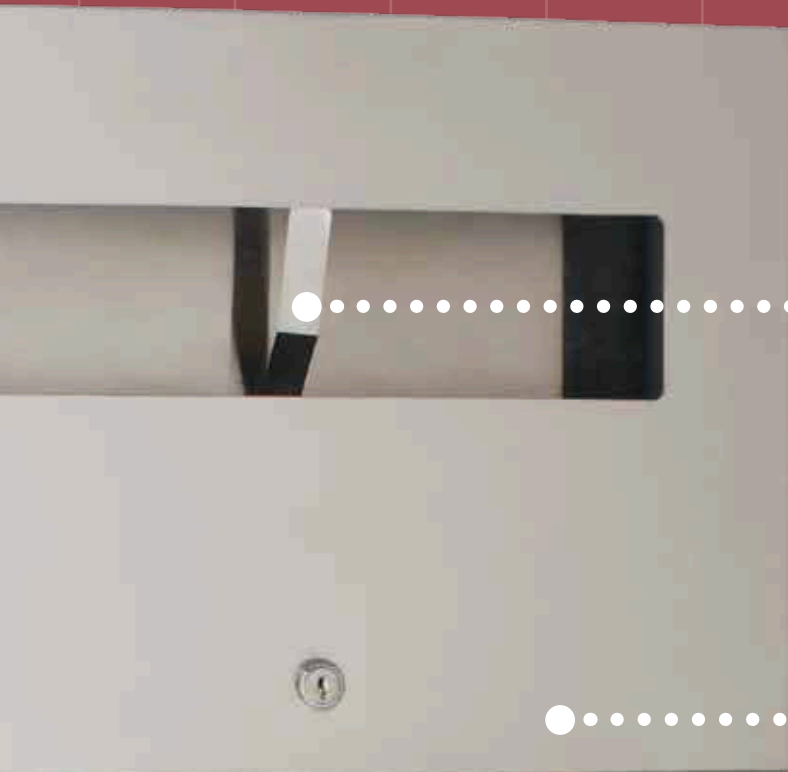
■ COMMERCIAL SERIES



■ COMMERCIAL SERIES

Our COMMERCIAL series line offers the perfect solution for your next project's washroom needs.

This stylish and versatile line supports LEED compliance — and carries the approval of both the Buy American Act and the American Recovery and Reinvestment Act. You'll find our commitment to quality, value and service is second to none.



Spring-loaded arm makes refilling faster and easier

#304 stainless steel material blends into any washroom environment



Sturdy roll holder is easy to attach and detach and fits snugly in place to avoid theft

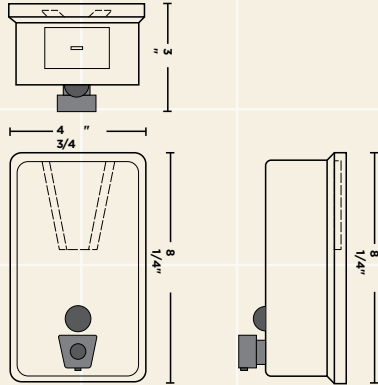
We've designed this beautifully finished, stainless steel line for long-lasting strength, without sacrificing style and functionality.

 BAA + ARRA APPROVED



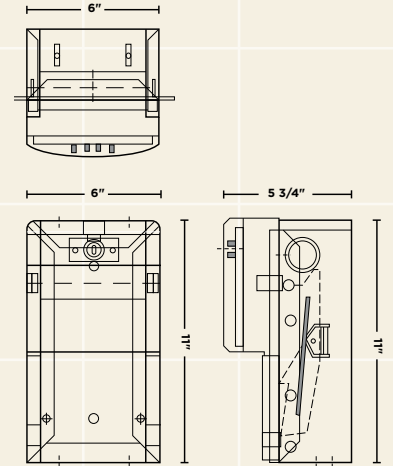
ACCESSORIES FOR ALL COMMERCIAL WASHROOM APPLICATIONS

Commercial Series offers you beautifully finished accessories crafted from #304 stainless steel for long-lasting strength and durability. These smart, stylish fixtures provide attractive and versatile options for a range of businesses, from hotels to hospitals, and schools to healthcare facilities. Commercial Series can do it all.



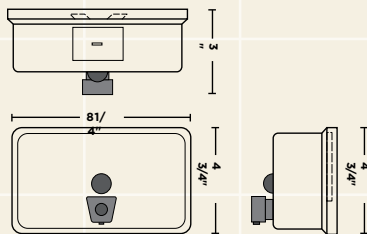
Vertical Wall Soap Dispenser

- Overall: 4-3/4" w x 8-1/4" h x 3" d
- Capacity: 40 ounces



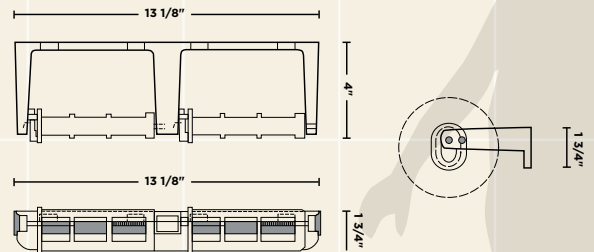
Surface Mounted Dual Roll Toilet Tissue Dispenser

- 2 plastic rollers w/ auto drop down
- Overall: 6" w x 11" h x 5-3/4" d
- Capacity: 2 standard toilet tissue rolls



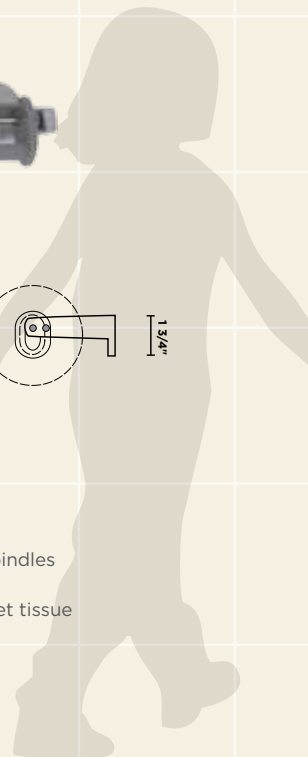
Horizontal Wall Soap Dispenser

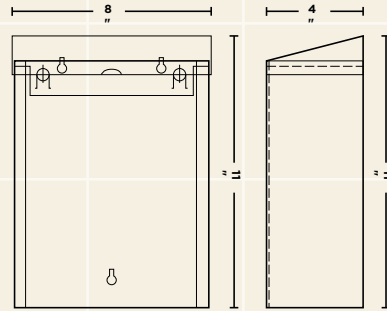
- Overall: 8-1/4" w x 4-3/4" h x 3" d
- Capacity: 40 ounces



Wall Mounted Tissue Box

- Cast aluminum / paint color silver
- No waste - rocking action gray plastic spindles
- Overall: 13-1/8" w x 1-3/4" h x 4" d
- Capacity: 2 standard 5-1/2" diameter toilet tissue

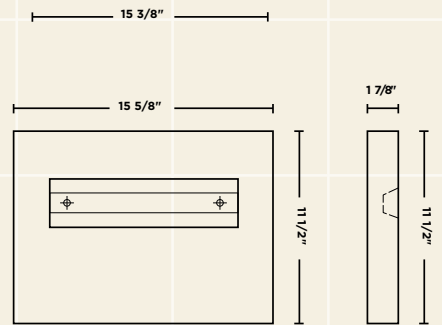




■ Sanitary Napkin Disposal

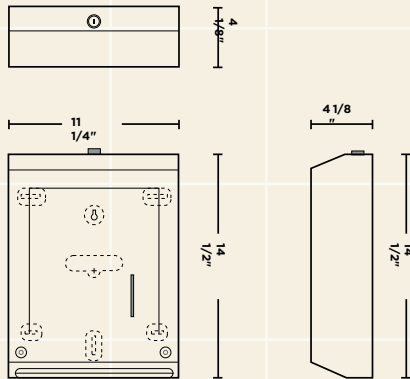
- Overall: 8" w x 11" h x 4" d
- Capacity: 1 gallon

The Commercial Series product line is approved by the Buy American Act and the American Recovery and Reinvestment Act



■ Wall Mounted Toilet Seat Cover Dispenser

- * Overall: 15-5/8" w x 11-1/2" h x 1-7/8" d
- Capacity: 500 single or half fold seat covers



■ Wall Mounted C-Fold Tissue Paper Dispenser

- Overall: 11-1/4" w x 14-1/2" h x 4-1/8" d
- Capacity: 400 c-fold towels / 525 multi-fold paper towels



- Retractable Clothes line
- Overall: 3-5/8" diameter x 2-1/4" D



- Classic Surface-Mounted Single Roll Paper Holder with Lock
- * Overall: 12-1/4" w x 2-3/4" h x 4-1/4" d

The Commercial Series product line is approved by the Buy American Act and the American Recovery and Reinvestment Act



- Recessed Soap and Tumbler Holder with Metal Lip
- 6-1/4"w x 6-1/4"h x 2"d



- Premier Surface-Mounted Double Roll Paper Holder with Concealed Hinge
- * Overall: 10-1/2" w x 2-3/4" h x 4-1/4" d



- Stainless Towel Shelf with Bar
- Overall: 18"w x 11"h x 9-3/4"d



626-344-9779
www.HHBathandSafety.com

100% A.D.A Compliant
Made in the USA

